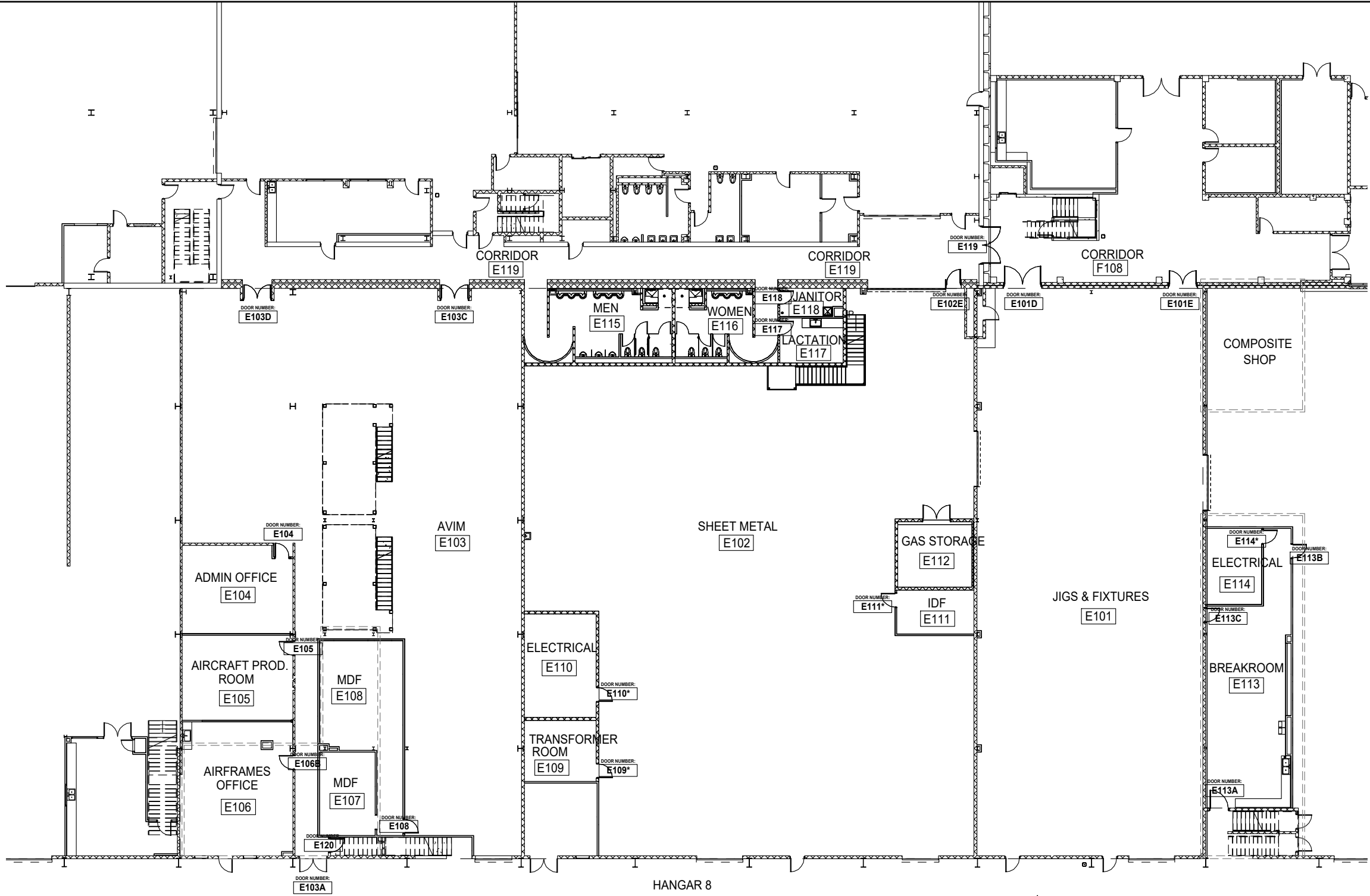


LOCATION MAP
 SCALE = NTS



LEVEL 1 FLOOR PLAN - AREA B

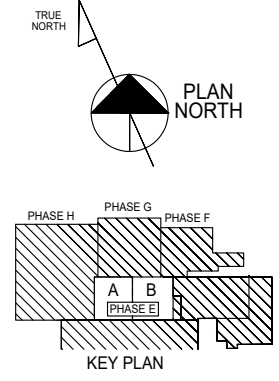
FLOOR PLAN

SCALE: NTS

ARCH REF: 1/E-A102
 1/E-A103
 DS/E-A603 N/E-A603 PG/E-A603

01

GLASS LITES ONLY ON INTERIOR DOORS



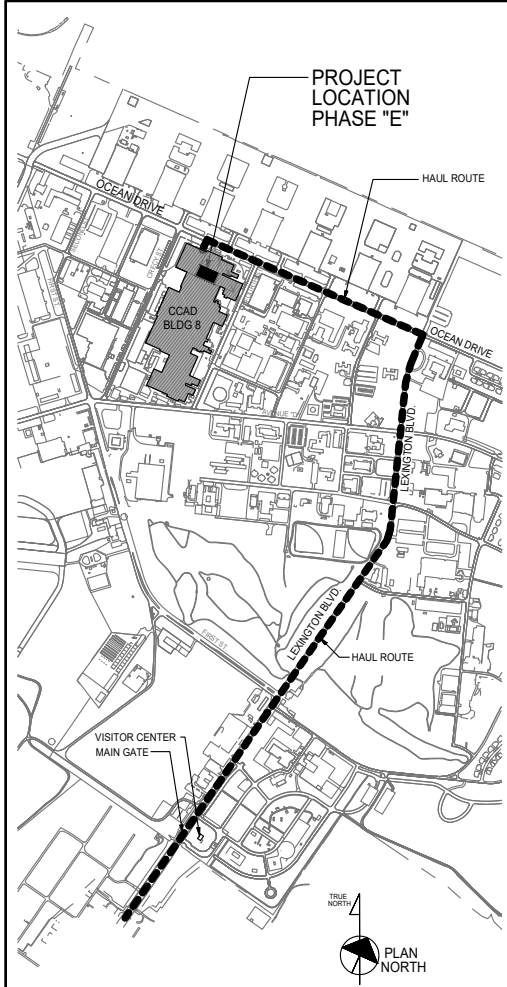
NOTE:
 DOORS WITH THE * SYMBOL HAVE FIRE-RATED GLASS.

SUB	BY	DATE	DESCRIPTION
3	fp	07/31/23	Revision to Create and Add PN Doors & Remove Sheet P3
2	fp	02/02/23	Revision to Add Doors E1103A & E207B to Project
1	fp	11/01/22	First Submittal

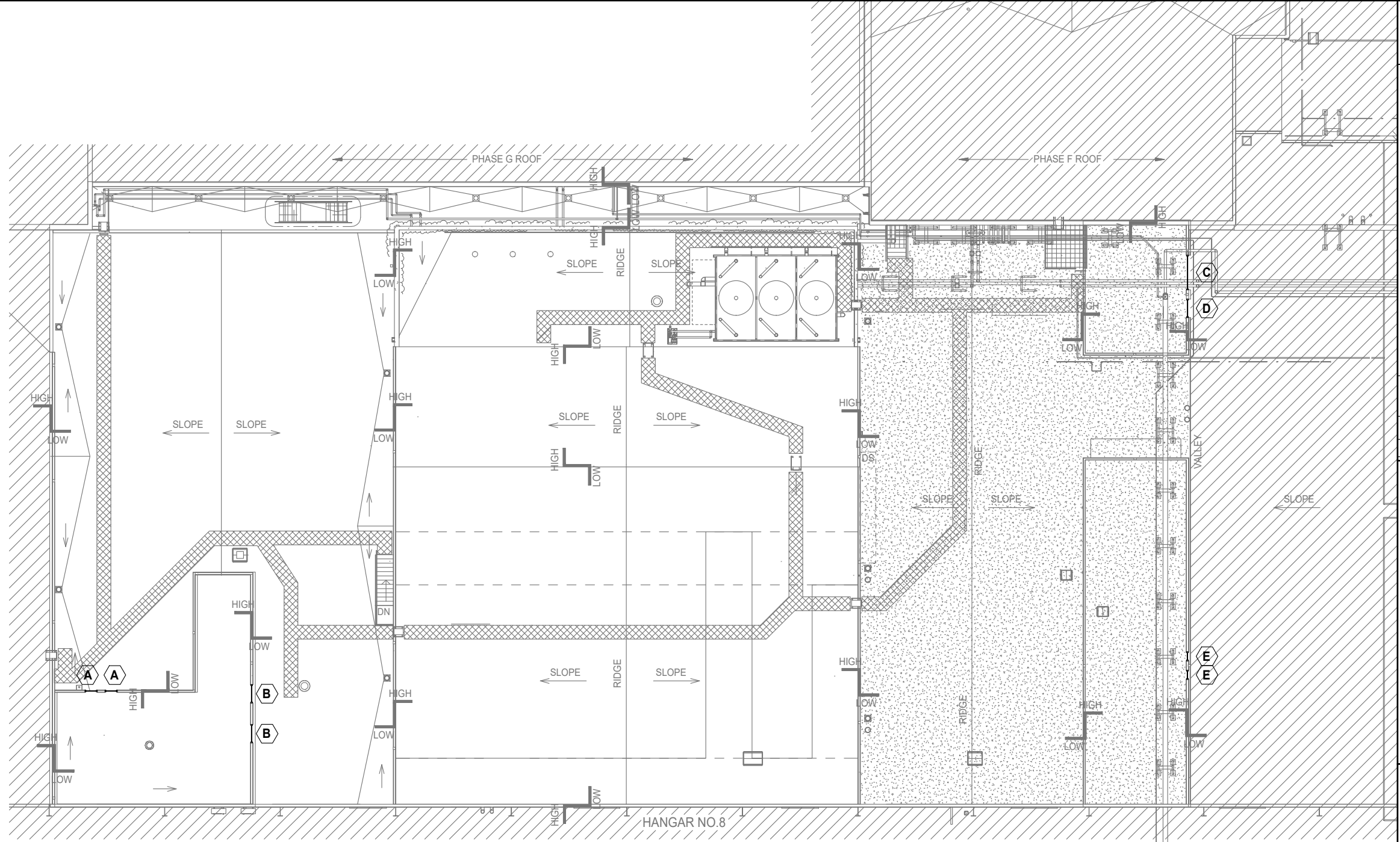
EVINS GLASS SERVICE, INC
 101 N.P.I.D., CORPUS CHRISTI, TX 78406
 WORK (361) 884-3995 FAX (361) 884-4262

PROJECT: CORPUS CHRISTI ARMY DEPOT, BLDG 8 NORTH
REHABILITATION, PHASE E
 ARCHITECT: US ARMY CORPS OF ENGINEERS
 INTEGRATED FEDERAL SERVICES, FORT WORTH
 GENERAL CONTRACTOR: EXPRESS CONTRACTING
 (210) 337-2260

PROJECT NO.	EGS-2210-01
DRAWN BY	fp
DATE	07/31/23
SCALE	NTS
DRAWING	FLOOR PLANS
SHEET	P1



LOCATION MAP
 SCALE = NTS



PLAN VIEW

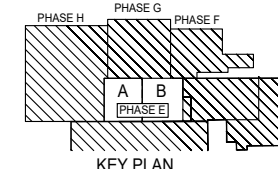
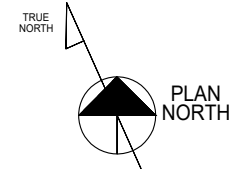
SCALE: NTS
 ARCH REF: 1/E-A121
 1/E-A203
 3/E-A203

01

ROOF PLAN

KAWNEER IR-501 IMPACT STOREFRONT

7/E-A203 1/E-AD122 1/E-AD123 9/E-AD123 3/E-AD125 4/E-AD125

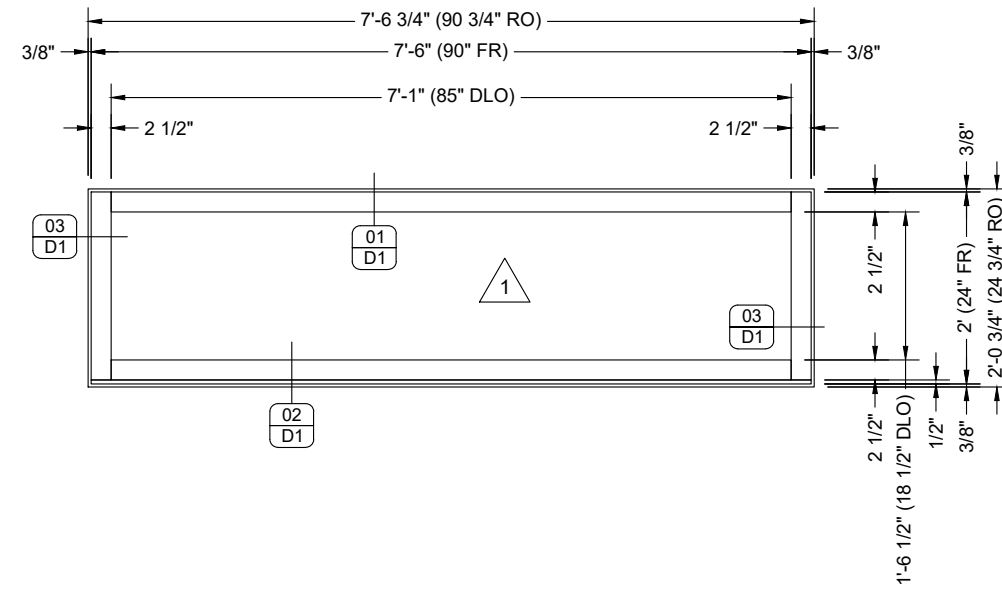
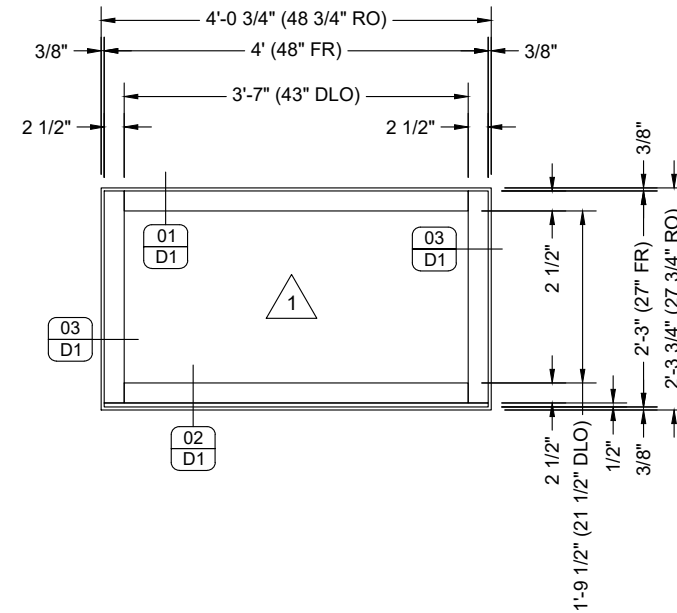
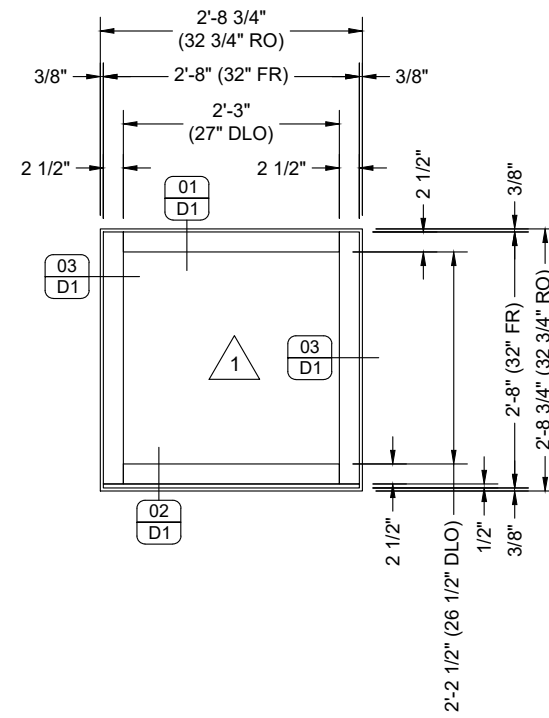


NO.	DATE	BY	DESCRIPTION
3	07/31/23	fp	Revision to Create and Add PN Doors & Remove Sheet P3
2	02/02/23	fp	Revision to Add Doors E103A & E207B to Project
1	11/01/22	fp	First Submittal

EVINS GLASS SERVICE, INC
 101 N.P.I.D., CORPUS CHRISTI, TX 78406
 WORK (361) 884-3995 FAX (361) 884-4262

PROJECT: CORPUS CHRISTI ARMY DEPOT, BLDG 8 NORTH
REHABILITATION, PHASE E
 ARCHITECT: US ARMY CORPS OF ENGINEERS
 INTEGRATED FEDERAL SERVICES, FORT WORTH
 GENERAL CONTRACTOR: EXPRESS CONTRACTING
 (210) 337-2260

PROJECT NO.	EGS-2210-01
DRAWN BY	fp
DATE	07/31/23
SCALE	NTS
DRAWING	FLOOR PLANS
SHEET	P2



ELEVATION

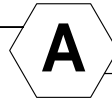


EXT STOREFRONT

KAWNEER IR-501 IMPACT ALUMINUM STOREFRONT

QUANTITY: 02
SCALE: 1/2" = 1'-0"
ARCH REF: 1/E-A121
3/E-A203
1/E-AD123

ELEVATION

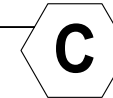


EXT STOREFRONT

KAWNEER IR-501 IMPACT ALUMINUM STOREFRONT

QUANTITY: 02
SCALE: 1/2" = 1'-0"
ARCH REF: 1/E-A121
1/E-A203
1/E-AD122

ELEVATION



EXT STOREFRONT

KAWNEER IR-501 IMPACT ALUMINUM STOREFRONT

QUANTITY: 01
SCALE: 1/2" = 1'-0"
ARCH REF: 1/E-A121
7/E-A203
4/E-AD125

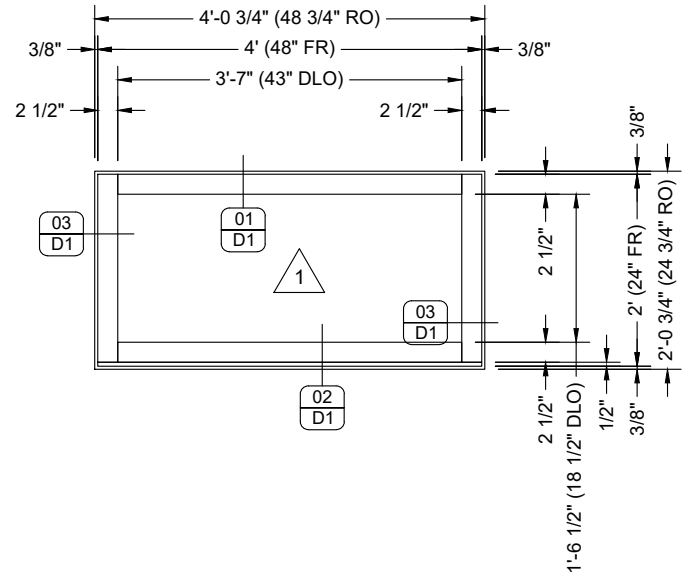
NO.	DATE	DESCRIPTION
1	11/01/22	First Submittal
2	1p	Revision to Add Doors E103A & E207B to Project
3	07/31/23	Revision to Create and Add PN Doors & Remove Sheet P3

EVINS GLASS SERVICE, INC

101 N.P.I.D., CORPUS CHRISTI, TX 78406
WORK (361) 884-3995 FAX (361) 884-4262

PROJECT: CORPUS CHRISTI ARMY DEPOT, BLDG 8 NORTH
REHABILITATION, PHASE E
ARCHITECT: US ARMY CORPS OF ENGINEERS
INTEGRATED FEDERAL SERVICES, FORT WORTH
GENERAL CONTRACTOR: EXPRESS CONTRACTING
(710) 337-2260

PROJECT NO.	EGS-2210-01
DRAWN BY	fp
DATE	07/31/23
SCALE	1/2" = 1'-0"
DRAWING	ELEVATIONS
SHEET	E1



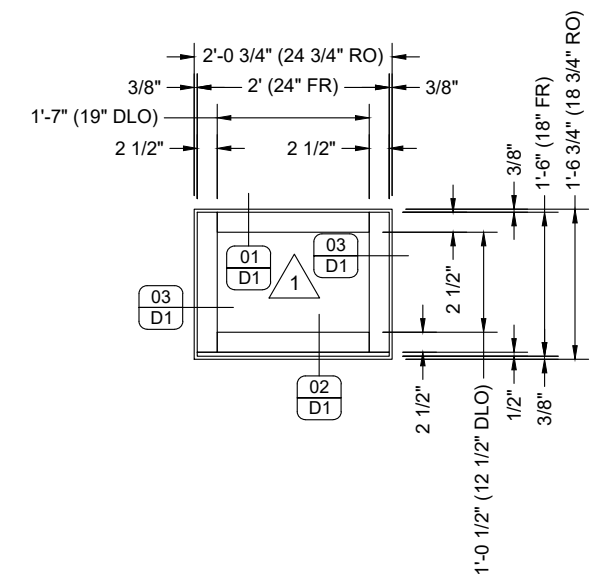
ELEVATION

QUANTITY: 01
 SCALE: 1/2" = 1'-0"
 ARCH REF: 1/E-A121
 7/E-A203
 4/E-AD125



EXT STOREFRONT

KAWNEER IR-501 IMPACT ALUMINUM STOREFRONT



ELEVATION

QUANTITY: 02
 SCALE: 1/2" = 1'-0"
 ARCH REF: 1/E-A121
 7/E-A203
 3/E-AD125



EXT STOREFRONT

KAWNEER IR-501 IMPACT ALUMINUM STOREFRONT

NO	DATE	DESCRIPTION
1	11/01/22	First Submittal
2	02/02/23	Revision to Add Doors E103A & E207B to Project
3	07/31/23	Revision to Create and Add PN Doors & Remove Sheet P3

EVINS GLASS SERVICE, INC
 101 N.P.I.D., CORPUS CHRISTI, TX 78406
 WORK (361) 884-3995 FAX (361) 884-4262

PROJECT: CORPUS CHRISTI ARMY DEPOT, BLDG 8 NORTH
REHABILITATION, PHASE E
 ARCHITECT: US ARMY CORPS OF ENGINEERS
 INTEGRATED FEDERAL SERVICES, FORT WORTH
 GENERAL CONTRACTOR: EXPRESS CONTRACTING
 (710) 337-2260

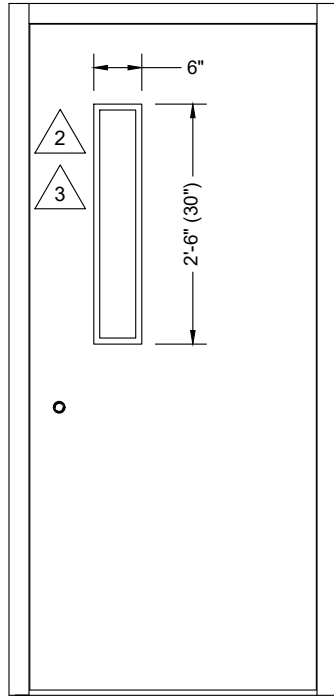
PROJECT NO.	EGS-2210-01
DRAWN BY	fp
DATE	07/31/23
SCALE	1/2" = 1'-0"
DRAWING	ELEVATIONS
SHEET	E2

NO.	DATE	DESCRIPTION
3	07/31/23	Revision to Create and Add PN Doors & Remove Sheet P3
2	02/02/23	Revision to Add Doors E103A & E207B to Project
1	11/01/22	First Submittal

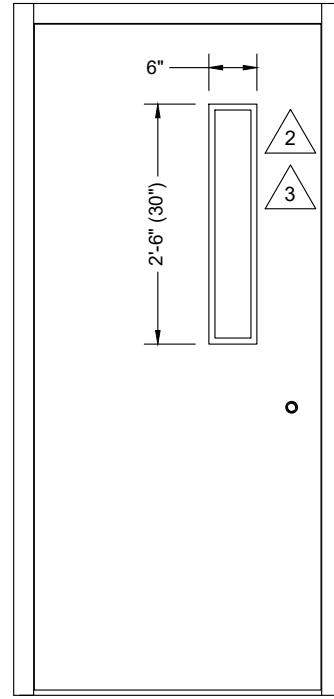
EVINS GLASS SERVICE, INC
101 N.P.I.D., CORPUS CHRISTI, TX 78406
WORK (361) 884-3995 FAX (361) 884-4262

PROJECT: CORPUS CHRISTI ARMY DEPOT, BLDG 8 NORTH
REHABILITATION, PHASE E
ARCHITECT: US ARMY CORPS OF ENGINEERS
INTEGRATED FEDERAL SERVICES, FORT WORTH
GENERAL CONTRACTOR: EXPRESS CONTRACTING
(710) 337-2260

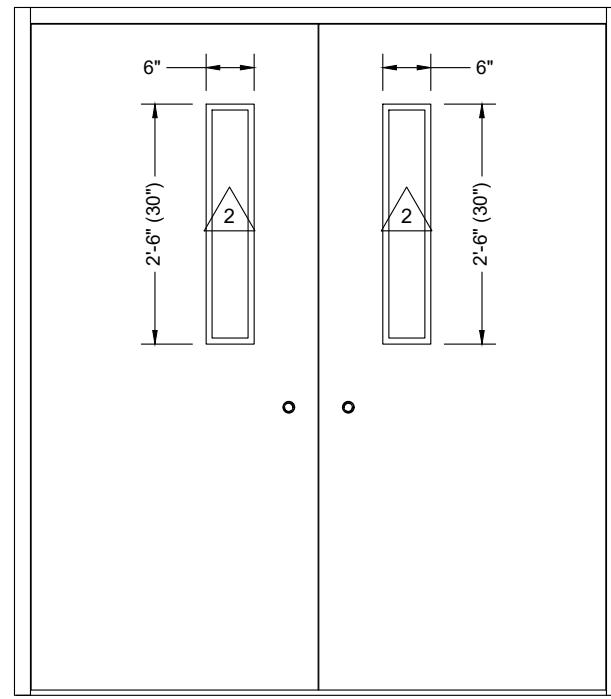
PROJECT NO.	EGS-2210-01
DRAWN BY	fp
DATE	07/31/23
SCALE	1/2" = 1'-0"
DRAWING	ELEVATIONS
SHEET	E3



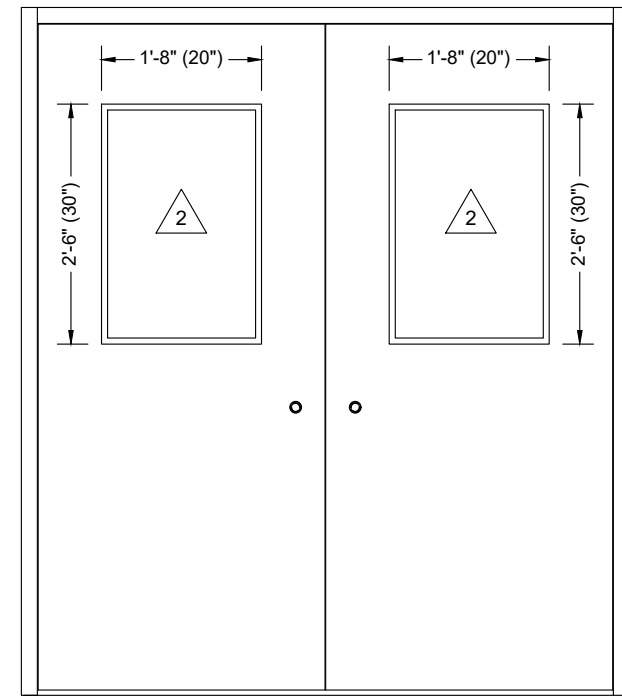
- DOOR NUMBER(S)
E104 **E113B** **E113C**
***E114** **E117** **E118**
E120



- DOOR NUMBER(S)
E102E **E105** **E106B**
E108 ***E109** ***E110**
***E111** **E113A**



- DOOR NUMBER(S)
E101D **E119**



- DOOR NUMBER(S)
E101E **E103C** **E103D**

ELEVATION

QUANTITY: 08 (03 F-R)
 SCALE: 1/2" = 1'-0"
 ARCH REF: 1/E-A102
 1/E-A103
 DS/E-603
 N/E-603



SINGLE NARROW LITE

NARROW GLASS ONLY
 RIGHT-HAND DOOR

NOTE: THE SYMBOL * INDICATES THAT THIS DOOR NUMBER HAS FIRE-RATED GLAZING

ELEVATION

QUANTITY: 02
 SCALE: 1/2" = 1'-0"
 ARCH REF: 1/E-A102
 1/E-A103
 DS/E-A603



DOUBLE NARROW LITE

NARROW GLASS ONLY
 DOUBLE DOOR

ELEVATION

QUANTITY: 03 (03 F-R)
 SCALE: 1/2" = 1'-0"
 ARCH REF: 1/E-A102
 1/E-A103
 DS/E-603
 PG/E-603



DOUBLE HALF LITE

HALF GLASS ONLY
 DOUBLE DOORS

ELEVATION

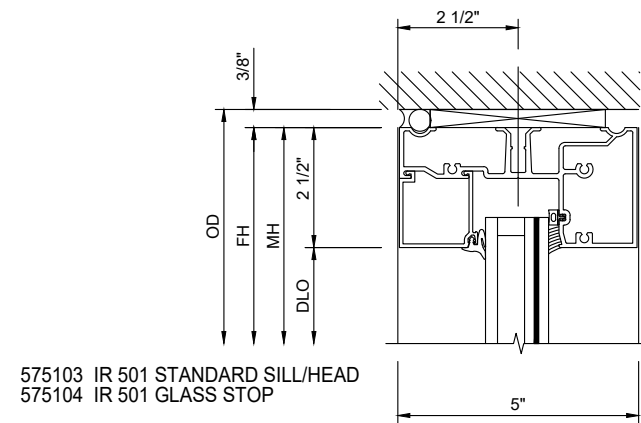
QUANTITY: 07 (01 F-R)
 SCALE: 1/2" = 1'-0"
 ARCH REF: 1/E-A102
 1/E-A103
 DS/E-A603
 N/E-A-603



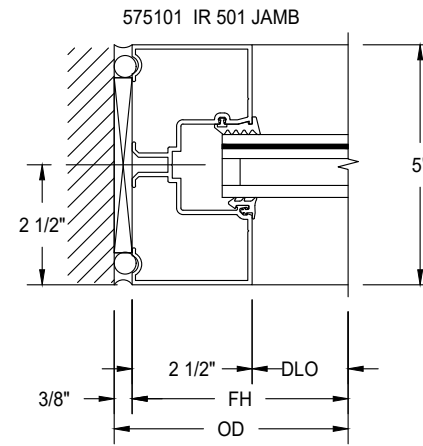
SINGLE NARROW LITE

NARROW GLASS ONLY
 LEFT-HAND DOOR

NOTE: THE SYMBOL * INDICATES THAT THIS DOOR NUMBER HAS FIRE-RATED GLAZING



575103 IR 501 STANDARD SILL/HEAD
 575104 IR 501 GLASS STOP



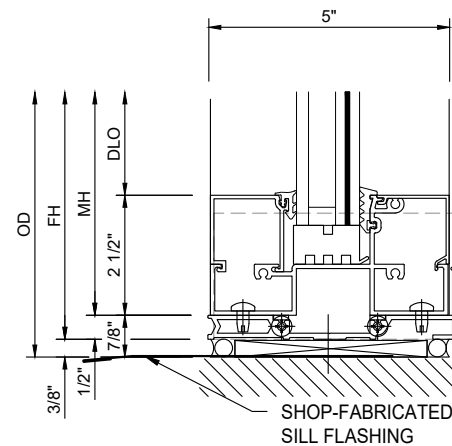
575101 IR 501 JAMB

DETAIL 03 EXT JAMB

SCALE: 3" = 1'-0"
 ARCH REF: N/A
 KAWNEER IR 501 ALUMINUM STOREFRONT

DETAIL 01 EXT HEAD

SCALE: 3" = 1'-0"
 ARCH REF: N/A
 KAWNEER IR 501 ALUMINUM STOREFRONT



575158 IR 501 OPTIONAL SILL
 575157 HP SILL FLASHING
 575208 END DAM
 575159 IR 501 OPTIONAL SILL COVER
 575104 IR 501 GLASS STOP

DETAIL 02 EXT SILL

SCALE: 3" = 1'-0"
 ARCH REF: N/A
 KAWNEER IR 501 ALUMINUM STOREFRONT

NO.	DATE	BY	DESCRIPTION
3	07/31/23	fp	Revision to Create and Add PN Doors & Remove Sheet P3
2	02/02/23	fp	Revision to Add Doors E103A & E207B to Project
1	11/01/22	fp	First Submittal

EVINS GLASS SERVICE, INC
 101 N.P.I.D., CORPUS CHRISTI, TX 78406
 WORK (361) 884-3995 FAX (361) 884-4262

PROJECT: CORPUS CHRISTI ARMY DEPOT, BLDG 8 NORTH
REHABILITATION, PHASE E
 ARCHITECT: US ARMY CORPS OF ENGINEERS
 INTEGRATED FEDERAL SERVICES, FORT WORTH
 GENERAL CONTRACTOR: EXPRESS CONTRACTING
 (710) 337-2266

PROJECT NO.	EGS-2210-01
DRAWN BY	fp
DATE	07/31/23
SCALE	3" = 1'-0"
DRAWING	DETAILS
SHEET	D1